



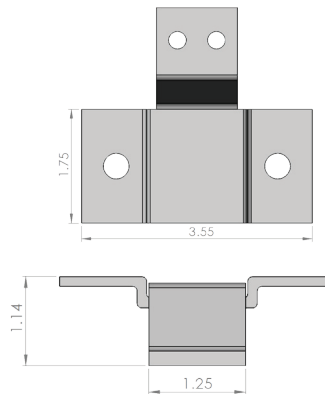
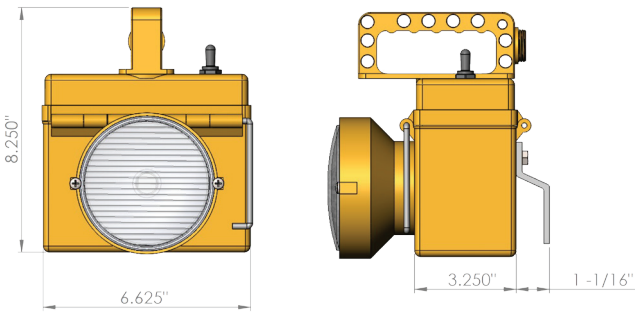
Emergency Battle Lantern

- Will operate underwater for at least 3 hours
- Available with LED or incandescent lamp
- Supplied with quick release stainless steel wall bracket
- All brass battery contacts
- Uses two 6-volt spring-top batteries (NEDA 908-908A)
- Available in an alternate model with built in charger & batteries



BHL-DRY-BRKT-4546

MODELS: BHL-DRY-BRKT-4546 - 6,300CP
BHL-DRY-BRKT-LED - 27,000CP



BHL-DRY-BRKT-4546
(Back view)

BHL-DRY-BRKT-4546:

Wall-mounted, uses two 6-volt spring-top batteries (alkaline preferred for 30 hours of operation). Hinge design for quick replacement of batteries

BHL-DRY-REL-BRKT-LED:

LED version with internal relay and electric power cable

BHL-DRY-BRKT-LED: LED Version

BHL-DRY-REL-BRKT-4546:

Supplied with internal relay and lights up if there is a power failure; supplied with an electric power cable

Models with built-in charger:

- BHL - RCHG - BRKT - 4546
- BHL - RCHG - BRKT - LED
- BHL - RCHG - REL - BRKT - 4546
- BHL - RCHG - REL - BRKT - LED

